



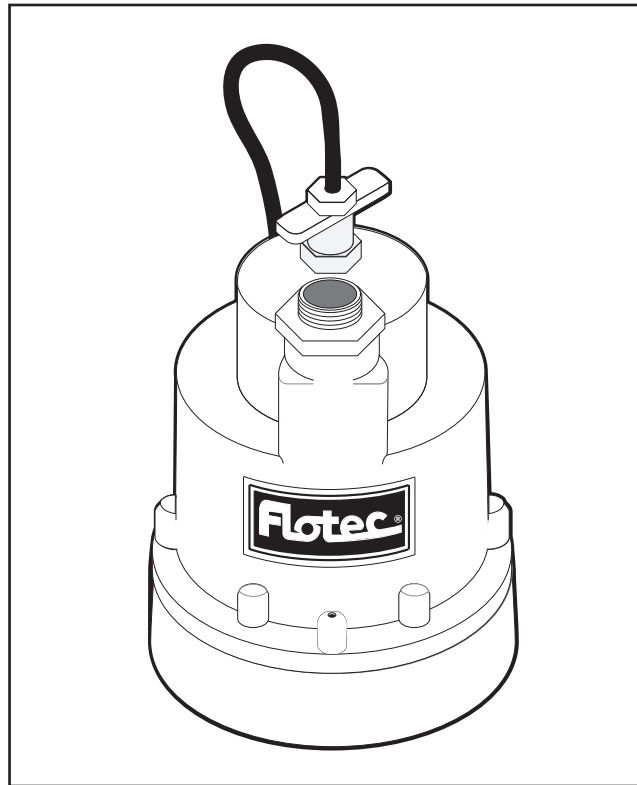
293 Wright Street, Delavan, WI 53115
 Phone: 1-800-365-6832
 Fax: 1-800-526-3757
 Web Site: FlotecWater.com

Water
 is Our
Business®

OWNER'S MANUAL
Submersible Utility Pump

NOTICE D'UTILISATION
**Pompe submersible à usage
 général**

MANUAL DEL USUARIO
Bomba sumergible de uso general



FPSC1725X

Installation/Operation/Parts

For further operating, installation, or maintenance assistance:

Call 1-800-365-6832

English Pages 2-6

Installation/Fonctionnement/Pièces

Pour plus de renseignements concernant l'utilisation, l'installation ou l'entretien,

Composer le 1 (800) 365-6832

Français Pages 7-11

Instalación/Operación/Piezas

Para mayor información sobre el funcionamiento, instalación o mantenimiento de la bomba:

Llame al 1-800-365-6832

EspañolPaginas 12-16

READ AND FOLLOW SAFETY INSTRUCTIONS!

⚠ This is the safety alert symbol. When you see this symbol on your pump or in this manual, look for one of the following signal words and be alert to the potential for personal injury.

⚠ DANGER warns about hazards that **will** cause serious personal injury, death or major property damage if ignored.

⚠ WARNING warns about hazards that **can** cause serious personal injury, death or major property damage if ignored.

⚠ CAUTION warns about hazards that **will** or **can** cause minor personal injury or property damage if ignored.

The label **NOTICE** indicates special instructions which are important but not related to hazards.

Carefully read and follow all safety instructions in this manual and on pump.

Keep safety labels in good condition.

Replace missing or damaged safety labels.

DESCRIPTION

This Submersible Utility Pump is designed for draining water from basement floors, stock tanks, window wells, boats, flat roofs and cisterns. Unit is equipped with a 3-prong grounding-type power cord. Shaded-pole motor is oil filled and sealed for cooler operation. Sleeve bearings on the motor shaft never need lubrication. Automatic reset thermal protection.

NOTICE: This unit is not designed for applications involving salt water or brine! Use with salt water or brine will void warranty.

SPECIFICATIONS

Power supply required.....120V, 60 HZ.
 Motor duty.....continuous*
 Liquid Temp. Range..... Less Than 120° F (50° C)
 Individual Branch Circuit Required (min.).....15 Amps
 Pump Discharge.....1-1/4" NPT
 Adapter.....3/4" Garden Hose

NOTICE: For continuous operation, the pump must be submerged to prevent motor overheating.

⚠ WARNING Risk of fire or explosion. Do not use in explosive atmospheres. **Pump water only with this pump.**

PERFORMANCE

	Discharge Feet of Head					
	0	5	10	15	20	25
GPH	1320	1170	1020	810	510	0

ELECTRICAL & SWITCH SPECIFICATIONS

Motor HP	Motor Full Load Amps	Individual Branch Circuit Required (Amps)
1/4	5.6	15

GENERAL SAFETY INFORMATION

Electrically powered utility pumps normally give many years of trouble-free service when correctly installed, maintained, and used. See the "Troubleshooting Chart" in this manual for information about common utility pump problems and remedies. For more information, see your retailer, or call Flotec customer service at 1-800-365-6832.

1. Know the pump application, limitations, and potential hazards.
2. **Do not use in water where fish are present.**
3. Disconnect the power before servicing.
4. Release all pressure within the system before servicing any component.
5. Drain all water from the system before servicing.
6. Secure the discharge line before starting the pump. An unsecured discharge line will whip, possibly causing personal injury and/or property damage.
7. Check hoses for weak or worn condition before each use. Making certain all connections are secure.
8. Periodically inspect the pump and system components. Keep free of debris and foreign objects. Perform routine maintenance as required.
9. Provide a means of pressure relief for pumps whose discharge line can be shut-off or obstructed.
10. Personal Safety:
 - a. Wear safety glasses at all times when working with the pumps.
 - b. Keep work area clean, uncluttered and properly lighted – replace all unused tools and equipment.
 - c. Keep visitors at a safe distance from the work area.
 - d. Make the workshop child-proof – with padlocks, master switches, and by removing starter keys.
11. When wiring an electrically driven pump, follow all of the electrical and safety codes that apply.
12. **This equipment is only for use on 120 volt (single phase) and is equipped with an approved 3-conductor cord and 3-prong, grounding-type plug.**

⚠ WARNING Hazardous voltage. Can shock, burn or cause death. To reduce the risk of electric shock, pull the plug before servicing. This pump has not been investigated for use in swimming pool areas. The pump is supplied with a grounding conductor and grounding-type attachment plug. Be sure it is connected only to a properly grounded grounding-type receptacle.

Where a 2-prong wall receptacle is encountered, it must be replaced with properly grounded 3-prong receptacle installed in accordance with the codes and ordinances that apply.

Do not walk on wet area until all power has been turned off. If the shut-off box is in the basement, call the electric company or hydro authority to shut-

off the service to house, or call your local fire department for instructions. Failure to follow this warning can result in a fatal electrical shock.

Do not lift the pump by the power cord.

13. All wiring should be performed by a qualified electrician.
14. Make certain the power source conforms to the requirements of your equipment.
15. Protect the electrical cord from sharp objects, hot surfaces, oil, and chemicals. Avoid kinking the cord. Replace or repair damaged or worn cords immediately.
16. Do not touch an operating motor. Motors are designed to operate at high temperatures.
17. Do not handle the pump or pump motor, or change fuses with wet hands or when standing on wet or damp surface, or in water.

INSTALLATION

1. Set the pump on a hard surface in at least 2" of water.
 2. Connect the discharge line with the fittings provided.
 3. The pump should not be installed on clay, dirt, mud or sand surfaces. Although the pump will usually pass small particles suspended in water, clean the area to be pumped of small stones and gravel which could clog the pump.
- NOTICE:** Grass, mud, sand or pea gravel can clog the pump and reduce it's performance. Keep the pump inlet screen clean.
4. To reduce motor noise and vibrations when using rigid pipe, a short length of rubber hose (e.g. radiator hose) can be connected into the discharge line near the pump using suitable clamps.
 5. Power Supply: Pump is designed for 120 V., 60 Hz., operation and requires a minimum 15 amp. individual branch circuit. Pump is supplied with a 3-wire cord with grounding-type plug.

⚠ WARNING Hazardous voltage. Can shock, burn or cause death. Pump should always be electrically grounded to a suitable electrical ground such as a grounded water pipe or a properly grounded metallic raceway, or ground wire system. Do not cut off round ground pin.

6. If the pump discharge line is exposed to an outside sub-freezing atmosphere, the line exposed must be installed so any water remaining in pipe will drain to the outfall by gravity. Failure to do this can cause water trapped in the discharge line to freeze which could result in damage to pump.
7. Check the operation of pump by observing through one complete cycle.

⚠ CAUTION Risk of flooding. Failure to make this operational check may lead to improper operation, premature failure, and flooding.

OPERATION

▲ WARNING Hazardous voltage. Can shock, burn or cause death. Do not handle a pump or pump motor with wet hands or when standing on wet or damp surface, or in water.

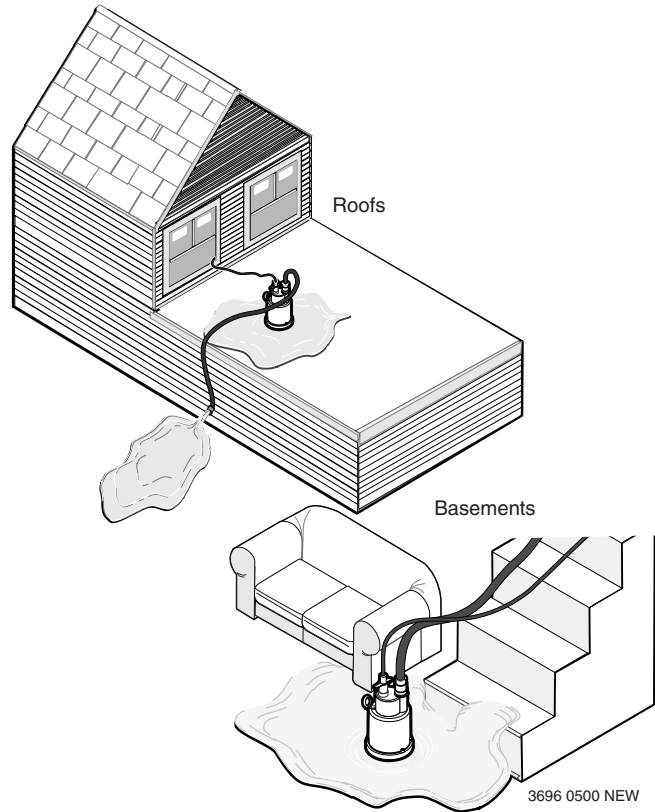
1. The shaft seal depends on water for lubrication and for cooling. Do not operate the pump unless it is submerged in water. The seal may be damaged if allowed to run dry.
2. The pump will not remove all water. During manual operation the pump will pump down to within 1/8" of the pumping surface. If the optional switch is used, the final water level is determined by placement of the switch.

NOTICE: For continuous operation, the pump must be submerged to prevent the motor from overheating. A fully submerged pump is preferred for proper cooling when a pump runs continuously.

AIRLOCKS

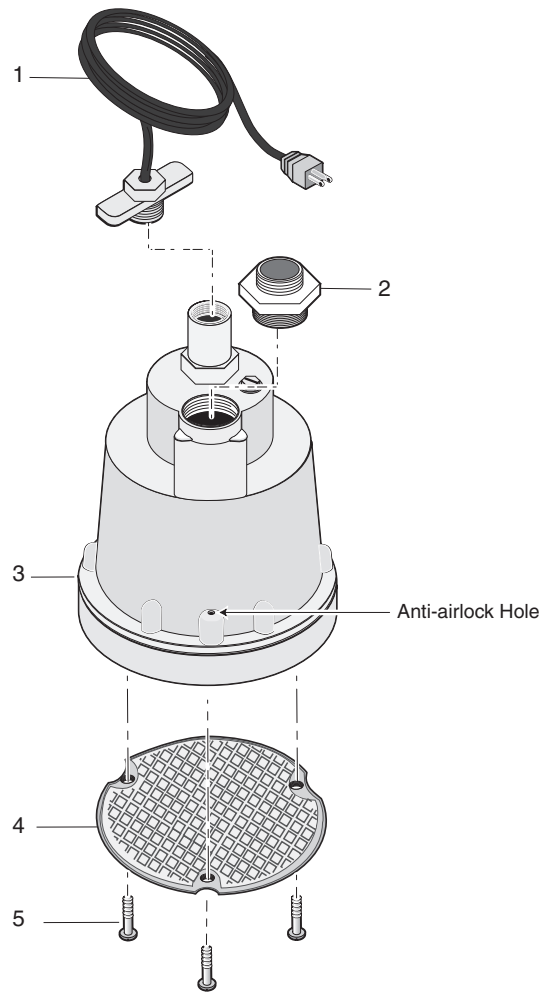
When a pump airlocks, it runs but does not move any water. An airlock will cause the pump to overheat and fail. This pump has a built in anti-airlock hole. See the exploded view on the repair parts page for the location of the hole. Leakage from the anti-airlock hole is normal.

If you suspect an airlock, unplug the pump, clean out the anti-airlock hole with a paper clip or a piece of wire, and restart the pump.



Troubleshooting

SYMPTOM	PROBABLE CAUSE(S)	CORRECTIVE ACTION
Pump won't start or run.	Pump is not plugged in. Blown fuse or breaker. Low line voltage. Defective motor.	Check and see if pump is plugged in to a proper outlet. If blown, replace with fuse of proper size or reset breaker. If voltage under recommended minimum, check size of wiring from main switch on property. If OK, contact power company or hydro authority. Replace pump.
Pump starts and stops.	Motor is overheating.	Discharge or intake are obstructed. Pump is in too shallow of water.
Pump operates but delivers little or no water.	Restricted discharge (obstacle or ice in piping). Restricted intake. Low line voltage. Worn or plugged impeller. Anti-airlock hole is plugged.	Remove pump and clean pump and piping. Remove the pump and clean out the intake screen. If voltage under recommended minimum, check size of wiring from main switch on property. If OK, contact power company or hydro authority. Replace pump. Turn off the pump, clean out the anti-airlock hole, and restart the pump.



REPAIR PARTS

Key	Part Description	Qty.	FPSC1725X-02
1	Power Cord	1	PS117-54-TSU
2	Adapter	1	007-031
3	Motor Assembly	1	**
4	Inlet Screen	1	667-016
5	Screws, Screen	3	670-793

** If the motor fails, replace the entire pump.

Retain Original Receipt For Warranty Eligibility

Limited Warranty

This Limited Warranty is effective June 1, 2011 and replaces all undated warranties and warranties dated before June 1, 2011.

FLOTEC warrants to the original consumer purchaser (“Purchaser” or “You”) that its products are free from defects in material and workmanship for a period of twelve (12) months from the date of the original consumer purchase. If, within twelve (12) months from the original consumer purchase, any such product shall prove to be defective, it shall be repaired or replaced at FLOTEC’s option, subject to the terms and conditions set forth herein. Note that this limited warranty applies to manufacturing defects only and not to ordinary wear and tear. All mechanical devices need periodic parts and service to perform well. This limited warranty does not cover repair when normal use has exhausted the life of a part or the equipment.

The original purchase receipt and product warranty information label are required to determine warranty eligibility. Eligibility is based on purchase date of original product – not the date of replacement under warranty. The warranty is limited to repair or replacement of original purchased product only, not replacement product (i.e. one warranty replacement allowed per purchase). Purchaser pays all removal, installation, labor, shipping, and incidental charges.

For parts or troubleshooting assistance, DO NOT return product to your retail store. Contact FLOTEC Customer Service at 1-800-365-6832.

Claims made under this warranty shall be made by returning the product (except sewage pumps, see below) to the retail outlet where it was purchased or to the factory immediately after the discovery of any alleged defect. FLOTEC will subsequently take corrective action as promptly as reasonably possible. No requests for service will be accepted if received more than 30 days after the warranty expires. Warranty is not transferable and does not apply to products used in commercial/rental applications.

Sewage Pumps

DO NOT return a sewage pump (that has been installed) to your retail store. Contact FLOTEC Customer Service. Sewage pumps that have seen service and been removed carry a contamination hazard with them.

If your sewage pump has failed:

- Wear rubber gloves when handling the pump;
- For warranty purposes, return the pump’s cord tag and original receipt of purchase to the retail store;
- Dispose of the pump according to local disposal ordinances.

Exceptions to the Twelve (12) Month Limited Warranty

Product	Warranty Period
FP0F360AC, FP0FDC	90 days
FP0S1775A, FP0S1790PCA, FP0S2400A, FP0S2450A, FP0S4100X, FP2800DCC, FP0CP-20ULST, FPPSS3000, FPSC2150A, FPSC3150A, FPSC3350A	2 Years
4” Submersible Well Pumps, FP0S3200A, FP0S3250A, FP0S6000A, FPSC1725X, FPSC2200A, FPSC2250A, FPSE3601A, FPPSS5000	3 Years
FP7100 Series Pressure Tanks, E100ELT, E3305TLT, E3375TLT, E5005TLTT, E50TLT, E50VLT, E75STVT, E75VLT, FPSC3200A, FPSC3250A, FPSC4550A	5 Years

General Terms and Conditions; Limitation of Remedies

You must pay all labor and shipping charges necessary to replace product covered by this warranty. This warranty does not apply to the following: (1) acts of God; (2) products which, in FLOTEC’s sole judgment, have been subject to negligence, abuse, accident, misapplication, tampering, or alteration; (3) failures due to improper installation, operation, maintenance or storage; (4) atypical or unapproved application, use or service; (5) failures caused by corrosion, rust or other foreign materials in the system, or operation at pressures in excess of recommended maximums.

This warranty sets forth FLOTEC’s sole obligation and purchaser’s exclusive remedy for defective products.

FLOTEC SHALL NOT BE LIABLE FOR ANY CONSEQUENTIAL, INCIDENTAL, OR CONTINGENT DAMAGES WHATSOEVER. THE FOREGOING LIMITED WARRANTIES ARE EXCLUSIVE AND IN LIEU OF ALL OTHER EXPRESS AND IMPLIED WARRANTIES, INCLUDING BUT NOT LIMITED TO IMPLIED WARRANTIES OF MERCHANTABILITY AND FITNESS FOR A PARTICULAR PURPOSE. THE FOREGOING LIMITED WARRANTIES SHALL NOT EXTEND BEYOND THE DURATION PROVIDED HEREIN.

Some states do not allow the exclusion or limitation of incidental or consequential damages or limitations on how long an implied warranty lasts, so the above limitations or exclusions may not apply to You. This warranty gives You specific legal rights and You may also have other rights which vary from state to state.

FLOTEC • 293 Wright Street • Delavan, WI U.S.A. 53115
Phone: 1-800-365-6832 • Fax: 1-800-526-3757 • Web Site: FlotecWater.com

LIRE TOUTES CES INSTRUCTIONS ET LES SUIVRE!

⚠ Ce symbole indique qu'il faut être prudent. Lorsque ce symbole apparaît sur la pompe ou dans cette Notice, rechercher une des mises en garde qui suivent, car elles indiquent un potentiel possible de blessures corporelles.

⚠ DANGER avertit d'un danger qui causera des blessures corporelles, la mort ou des dommages matériels importants si on l'ignore.

⚠ AVERTISSEMENT avertit d'un danger qui risque de causer des blessures corporelles, la mort ou des dommages matériels importants si on l'ignore.

⚠ ATTENTION avertit d'un danger qui causera ou qui risquera de causer des blessures corporelles, la mort ou des dommages matériels importants si on l'ignore.

Le mot **AVIS** indique des instructions spéciales et importantes n'ayant aucun rapport avec les dangers.

Lire attentivement toutes les consignes de sécurité contenues dans cette Notice ou collées sur la pompe.

Garder les autocollants de sécurité en bon état; les remplacer s'ils manquent ou s'ils ont été endommagés.

DESCRIPTION

Cette pompe submersible à usage général est conçue pour vider l'eau des sous-sols, les réservoirs de stockage, les puits de lumière, les bateaux, les terrasses et les citernes. Elle est équipée d'un cordon électrique muni d'une fiche à 3 broches dont une de mise à la terre. Dispositif de protection thermique contre les surcharges à réenclenchement automatique. Le moteur étanche à bague de déphasage est rempli d'huile pour qu'il chauffe moins pendant son fonctionnement. Les paliers à coussinet-douille de l'arbre du moteur ne nécessitent aucune lubrification.

AVIS : Cette pompe n'est pas conçue pour pomper de l'eau salée ni de la saumure! La garantie sera annulée si cette pompe est utilisée pour pomper de l'eau salée ou de la saumure.

CARACTÉRISTIQUES

Courant d'alimentation requisDe 120 V, 60 Hz
Type de moteurservice continu*
Température du liquideinférieure à 120 °F (50 °C)
Circuit de dérivation individuel requis (min.).....15 ampères
Refoulement de pompe1 1/4 po NPT
Adaptateurtuyau d'arrosage de 3/4 po

AVIS : En fonctionnement continu, et pour que le moteur ne surchauffe pas, la pompe doit toujours être immergée.

⚠ AVERTISSEMENT **Risque d'incendie ou d'explosion.** Ne pas utiliser dans une atmosphère explosive. **Ne pomper que de l'eau.**

RENDEMENT

	Hauteurs de Refoulement en Metres					
	0	1,5	3,1	4,6	6,1	7,6
L/h	4 997	4 429	3 861	3 016	1 930	0

CARACTÉRISTIQUES ÉLECTRIQUES ET INTERRUPTEUR

Puissance du motor (ch)	Pleine charge du motor (en amperes)	Circuit de dérivation individuel requis (en amperes)
1/4	5,6	15

CONSIGNES GÉNÉRALES DE SÉCURITÉ

Normalement, les électropompes à usage général fournissent de nombreuses années de service sans incident si elles sont bien posées, entretenues et utilisées. Se reporter à «Tableau de recherche des pannes» de cette Notice pour les problèmes courants des pompes à usage général et comment y remédier. Pour plus de renseignements, s'adresser au marchand ou appeler le service à la clientèle Flotec en composant le 1 800 365 6832.

1. Il faut connaître les utilisations de la pompe, ses limites et les dangers potentiels que son utilisation représente.
2. **Ne pas utiliser cette pompe dans une eau contenant des poissons.**
3. Couper le courant avant d'intervenir sur la pompe.
4. Dissiper toute la pression du circuit avant d'intervenir sur un des éléments de la pompe.
5. Vidanger l'eau du circuit avant d'intervenir sur la pompe.
6. Bien immobiliser la canalisation de refoulement avant de démarrer la pompe. Une canalisation de refoulement non immobilisée risque de se déplacer comme un fouet et de causer des blessures corporelles et/ou des dommages matériels.
7. Avant chaque utilisation, s'assurer que les tuyaux souples ne comportent pas de points faibles ni de parties usées et que tous les raccords sont bien serrés.
8. Périodiquement, inspecter la pompe et tous les éléments de l'ensemble. Procéder à un entretien périodique selon le besoin.
9. Prévoir un moyen de dissiper la pression des pompes dont la canalisation de refoulement risque d'être fermée ou obstruée.
10. Sécurité personnelle :
 - a. Lorsque l'on intervient sur une pompe, toujours porter des lunettes de sécurité.
 - b. Toujours garder la zone de travail propre, dégagée et bien éclairée - Enlever tous les outils et tout l'équipement inutiles.
 - c. Les visiteurs doivent se tenir à une distance sécuritaire de la zone de travail.
 - d. Poser des cadenas pour s'assurer que les enfants ne pourront pas pénétrer dans l'atelier de travail. Poser aussi un interrupteur général et enlever les clés des démarreurs.
11. Pour câbler une électropompe, observer tous les codes de sécurité et de l'électricité en vigueur.
12. **Cet équipement ne fonctionne que sur le courant alternatif monophasé de 120 volts. Il est muni d'un cordon électrique approuvé à 3 conducteurs et d'une fiche à 3 broches dont une de mise à la terre.**

⚠ AVERTISSEMENT Tension dangereuse. Risque de secousses électriques, de brûlures, voire de mort. Avant d'intervenir sur la pompe et pour minimiser les risques de secousses électriques, débrancher le cordon électrique de la pompe de la prise de courant. Aucune étude n'a été faite pour savoir si cette pompe pouvait être utilisée aux alentours des piscines. Cette pompe est livrée avec un conducteur électrique dont un de ses conducteurs et une broche de sa fiche servent à la mise à la terre. Ne brancher cette fiche que dans une prise de courant adéquatement mise à la terre.

Au cas où l'installation ne comporterait que des prises de courant à 2 trous, remplacer la prise de courant dans laquelle la fiche sera branchée par une prise de courant à 3 trous adéquatement mise à la terre et posée conformément aux codes et aux décrets en vigueur.

Ne pas marcher sur cette surface humide tant que toute l'alimentation en courant électrique n'aura pas été

coupée. Si le sectionneur principal se trouve au sous-sol, appeler la compagnie qui fournit l'électricité pour lui demander d'interrompre le service alimentant la maison ou appeler le service d'incendie de la municipalité pour plus de renseignements. On risque d'être mortellement électrocuté si on ne respecte pas cet avertissement.

Ne jamais lever la pompe par son cordon électrique.

13. Tout le câblage doit être exécuté par un électricien qualifié.
14. S'assurer que le courant d'alimentation est conforme aux caractéristiques de l'équipement.
15. Protéger le cordon électrique contre les objets tranchants, les surfaces chaudes, l'huile et les produits chimiques. Éviter de faire des noeuds avec le cordon. Remplacer immédiatement le cordon électrique s'il est endommagé ou usé.
16. Ne pas toucher le moteur de la pompe pendant qu'il fonctionne. Les moteurs fonctionnent par des températures élevées.
17. Ne pas manipuler la pompe ni le moteur de la pompe ni remplacer un fusible lorsqu'on a les mains humides ou lorsqu'on se tient debout sur une surface mouillée, humide ou dans l'eau.

INSTALLATION

1. Poser la pompe sur une surface dure et dans au moins 5 cm (2 pouces) d'eau.
 2. Brancher la conduite de refoulement avec les raccords fournis.
 3. Il ne faut pas poser la pompe sur une surface en argile, en terre ou sablonneuse. Bien que la pompe puisse habituellement pomper les petites particules en suspension dans l'eau, débarrasser la zone à pomper des petites pierres et des petits graviers qui risqueraient de boucher la pompe.
- AVIS :** L'herbe, la boue, le sable et les petits gravillons peuvent boucher la pompe et réduire son débit. Garder l'orifice d'aspiration de la pompe propre.
4. Pour minimiser le bruit du moteur et les vibrations, au cas où on utiliserait un tuyau rigide, un petit morceau de tuyau en caoutchouc de 47,6 mm (1 7/8 de pouce) de diamètre intérieur, (une durite de radiateur, par exemple) peut être posé sur la conduite de refoulement à l'aide de colliers, près de la pompe.
 5. Courant électrique : La pompe est conçue pour fonctionner sur le courant électrique de 120 V, 60 Hz. Elle doit être branchée sur un circuit de dérivation individuel requis d'au moins 15 ampères. La pompe est livrée avec des cordons électriques à 3 conducteurs avec broche de mise à la terre.

⚠ AVERTISSEMENT Tension dangereuse. Risque de secousses électriques, de brûlures, voire de mort. La pompe doit toujours être électriquement raccordée à la terre, sur un tuyau d'eau mis à la terre, une canalisation adéquatement mise à la terre ou un circuit électrique adéquatement mis à la terre. Ne jamais couper la broche ronde de mise à la terre de la fiche.

6. Si la conduite de refoulement de la pompe est exposée aux températures de congélation extérieures, la partie exposée au gel doit être installée de façon que l'eau restant dans le tuyau puisse se vidanger en retombant par gravité. Si l'on ne respecte pas cette recommandation, l'eau emprisonnée dans la conduite de refoulement peut geler et la pompe risque d'être endommagée.
7. Vérifier le fonctionnement de la pompe en lui faisant faire un cycle complet.

⚠ ATTENTION Risque d'inondation. Ne pas procéder à cette vérification de fonctionnement risque de causer un mauvais fonctionnement, une panne prématurée, voire une inondation.

FONCTIONNEMENT

⚠ AVERTISSEMENT Tension dangereuse. Risque de secousses électriques, de brûlures, voire de mort. Ne pas manipuler une pompe ni un moteur de pompe si on a les mains humides ou si on se tient sur une surface mouillée ou humide ou dans l'eau.

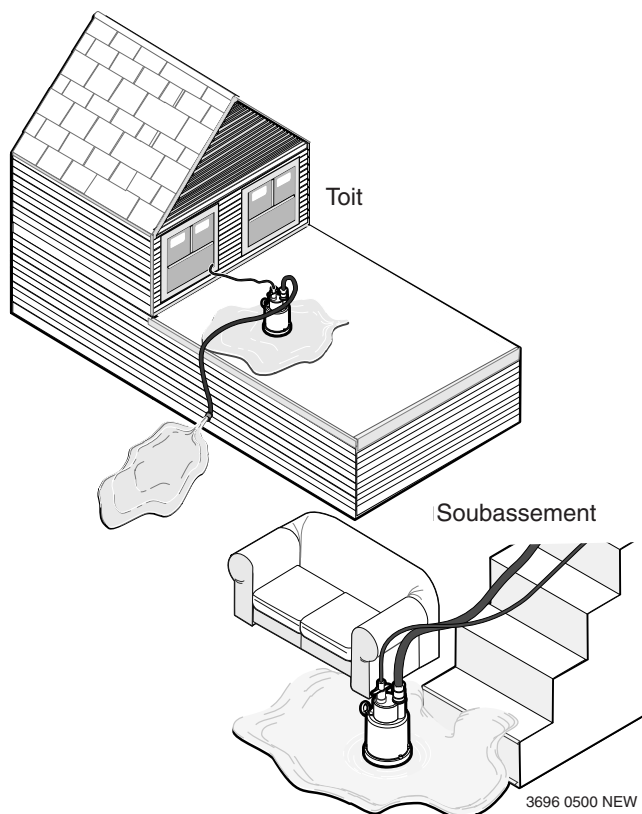
1. L'eau sert à lubrifier le joint de l'arbre et au refroidissement. Ne pas faire fonctionner la pompe si elle n'est pas dans l'eau. Le joint sera endommagé si la pompe fonctionne à sec.
2. La pompe n'enlèvera pas toute l'eau. Pendant le fonctionnement manuel, la pompe pompera jusqu'à 1/8 de po de la surface de pompage. Si l'interrupteur en option est utilisé, le niveau final de l'eau sera déterminé par la position de l'interrupteur.

AVIS : En fonctionnement continu, et pour que le moteur ne surchauffe pas, la pompe doit toujours être immergée. Si la pompe fonctionne en continu et pour qu'elle refroidisse adéquatement, il est préférable qu'elle soit entièrement submergée.

BOUCHON D'AIR

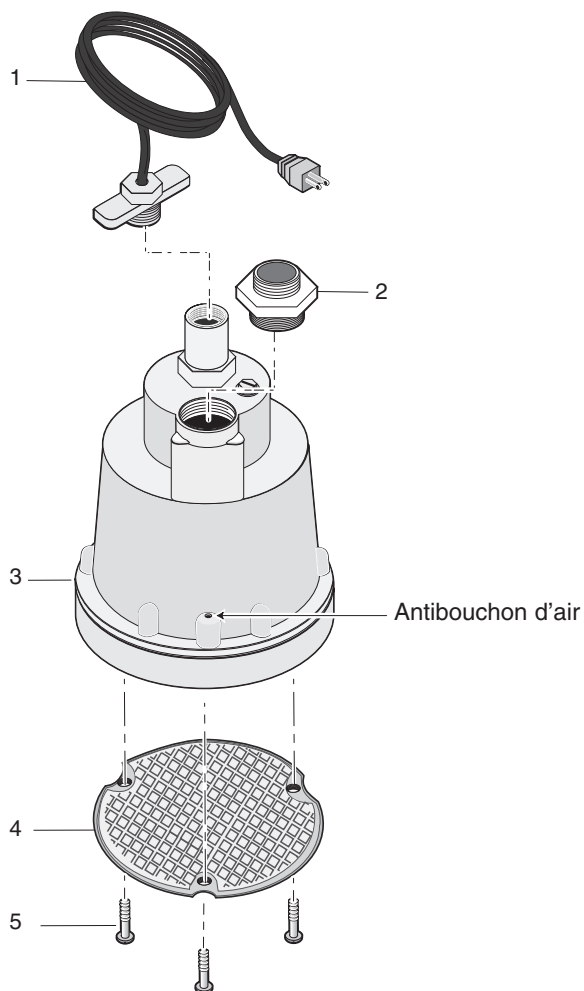
Si un bouchon d'air se forme dans la pompe, elle fonctionnera mais ne débitera pas d'eau. Un bouchon d'air causera la surchauffe de la pompe, puis sa panne. La pompe est équipée d'un bouchon d'air, (voir la Page 10). Fuite de la bouchon d'air est normale.

Si l'on soupçonne un bouchon d'air, débrancher la pompe, nettoyer le trou antibouchon d'air avec un trombone ou un morceau de fil de fer, puis redémarrer la pompe.



Recherche des pannes

SYMPTÔMES	CAUSES POSSIBLES	REMÈDES
La pompe ne démarre pas ou ne fonctionne pas.	La pompe n'est pas branchée. Fusible ou disjoncteur sauté. Tension de ligne basse. Moteur défectueux.	S'assurer que la pompe est branchée dans une prise de courant électrique adéquate. Le remplacer par un fusible de calibre adéquat ou bien réarmer le disjoncteur. Si la tension est inférieure à la tension minimum recommandée, vérifier le calibre des conducteurs côté sectionneur principal de la propriété. Si le calibre des conducteurs est bon, s'adresser à la compagnie d'électricité. Remplacer la pompe.
La pompe démarre, puis s'arrête.	Le moteur surchauffe.	Le tuyau de refoulement ou d'admission sont bouchés. La pompe n'est pas assez immergée dans une profondeur suffisante d'eau.
La pompe fonctionne mais ne débite pas d'eau ou débite très peu d'eau.	Le refoulement est obstrué (obstruction ou glace dans la tuyauterie). L'aspiration est obstruée. Tension de ligne basse. Des pièces de l'impulseur sont usées ou bien l'impulseur est bouché. Bouchon d'air.	Déposer la pompe et la nettoyer ainsi que les tuyauteries. Déposer la pompe et nettoyer son aspiration. Si la tension est inférieure à la tension minimum recommandée, vérifier le calibre des conducteurs côté sectionneur principal de la propriété. Si le calibre des conducteurs est bon, s'adresser à la compagnie d'électricité. Remplacer la pompe. Arrêter la pompe pendant quelques secondes, nettoyer le trou antibouchon d'air, puis redémarrer la pompe.



PIÈCES DE RECHANGE

Réf.	Désignation	Qté	FPSC1725X-02
1	Cordon électrique	1	PS117-54-TSU
2	Adaptateur	1	007-031
3	Couvercle du moteur	1	**
4	Crépine d'aspiration	1	667-016
5	Vis de la crépine	3	670-793

** Si le moteur tombe en panne, remplacer toute la pompe.

Conserver le reçu de caisse original aux fins d'admissibilité à la garantie

Garantie limitée

La présente garantie limitée est entrée en vigueur le 1er juin 2011 et remplace toute garantie non datée ou antérieure à cette date. FLOTEC garantit à l'acheteur/au consommateur d'origine (l'Acheteur) que ses produits sont exempts de tout vice de matériau et de fabrication. Cette garantie est valable pendant douze (12) mois à partir de la date d'achat d'origine. Si, dans les douze (12) mois suivant la date d'achat d'origine, un produit se révèle défectueux, il doit être réparé ou remplacé, à la discrétion de FLOTEC, selon les modalités énoncées aux présentes. Il est à noter que la présente garantie limitée s'applique aux défauts de fabrication seulement. Elle ne couvre pas l'usure normale. Tout dispositif mécanique doit faire l'objet d'un entretien périodique pour veiller à son bon fonctionnement. La présente garantie limitée ne couvre pas les réparations attribuables à l'usure normale d'une pièce ou de l'équipement.

Le reçu de caisse original et l'étiquette d'information sur la garantie sont nécessaires pour déterminer l'admissibilité à la garantie. Cette dernière est établie en fonction de la date d'achat de l'article et non de la date de son remplacement sous garantie. La garantie se limite à la réparation ou au remplacement de l'article original seulement et ne couvre pas l'article de rechange (c.-à-d. un article remplacé sous garantie par achat). L'Acheteur assume les frais de retrait, d'installation, de transport et tous les frais accessoires.

Pour obtenir des pièces ou de l'aide technique, NE PAS retourner le produit au détaillant. Contacter le service à la clientèle de FLOTEC au 1-800-365-6832.

Toute demande de règlement en vertu de la présente garantie doit être faite en retournant l'article (à l'exception des pompes de puisard; voir la marche à suivre ci-dessous) au magasin où celui-ci a été acheté ou à l'usine dès qu'une défectuosité est soupçonnée. FLOTEC prendra les mesures correctives nécessaires dans un délai rapide et raisonnable. Aucune demande de réparation ne sera acceptée plus de 30 jours après l'expiration de la garantie.

La garantie ne peut être cédée et ne s'applique pas aux produits utilisés à des fins commerciales ou de location.

Pompes d'eaux d'égout

NE PAS RETOURNER une pompe d'eaux d'égout (qui a été installée) au détaillant. Communiquer avec le service à la clientèle de FLOTEC. Les pompes d'eaux d'égout qui ont été utilisées, puis retirées présentent un risque de contamination.

En cas de défaillance de la pompe d'eaux d'égout :

- Porter des gants en caoutchouc pour manipuler la pompe.
- À des fins de garantie, retourner l'étiquette figurant sur le cordon de la pompe et l'original du reçu au détaillant.
- Mettre la pompe au rebut conformément à la réglementation locale.

Exceptions à la garantie limitée de douze (12) mois

Produit	Période de garantie
FP0F360AC, FP0FDC	90 jours
FP0S1775A, FP0S1790PCA, FP0S2400A, FP0S2450A, FP0S4100X, FP2800DCC, FP0CP-20ULST, FPPSS3000, FPSC2150A, FPSC3150A, FPSC3350A	2 ans
Pompe pour puits submersibles de 4 pouces, FP0S3200A, FP0S3250A, FP0S6000A, FPSC1725X, FPSC2200A, FPSC2250A, FPSE3601A, FPPSS5000	3 ans
Réservoir préchargé de système d'eau, E100ELT, E3305TLT, E3375TLT, E5005TLTT, E50TLT, E50VLT, E75STVT, E75VLT, FPSC3200A, FPSC3250A, FPSC4550A	5 ans

Modalités générales et restriction des recours

L'Acheteur doit payer tous les frais de main d'oeuvre et de transport nécessaires au remplacement du produit garanti couvert par cette garantie. Cette garantie ne s'applique pas à ce qui suit : (1) Les catastrophes naturelles; (2) Les produits qui, selon FLOTEC, ont fait l'objet d'une négligence, d'une utilisation abusive, d'un accident, d'une mauvaise application ou d'une altération; (3) Les défaillances dues à une installation, une utilisation, un entretien ou un entreposage inappropriés; (4) Une application, une utilisation ou une réparation atypique ou non approuvée; (5) Les défaillances causées par la corrosion, la rouille ou d'autres matériaux étrangers au système, ou par une utilisation à une pression supérieure au maximum recommandé.

Cette garantie établit la responsabilité unique de FLOTEC et le recours exclusif de l'Acheteur en cas de produit défectueux.

FLOTEC NE POURRA TRE TENUE RESPONSABLE DE TOUT DOMMAGE INDIRECT OU CONSÉCUTIF QUEL QU'IL SOIT.

LA GARANTIE LIMITÉE SUSMENTIONNÉE EST EXCLUSIVE ET REMPLACE TOUTES LES AUTRES GARANTIES EXPRESSES ET TACITES, Y COMPRIS, MAIS SANS S'Y LIMITER, LES GARANTIES DE QUALITÉ MARCHANDE ET D'ADAPTATION À UN USAGE PARTICULIER. LA GARANTIE LIMITÉE SUSMENTIONNÉE NE DOIT PAS ÊTRE PROLONGÉE AU-DELÀ DE LA DURÉE PRÉVUE AUX PRÉSENTES.

Certains États ne permettent pas l'exclusion ou la limitation des dommages indirects ou consécutifs, ni les limitations relatives à la durée des garanties implicites. Par conséquent, il se peut que les limitations ou les exclusions ci-dessus ne s'appliquent pas. Cette garantie procure des droits juridiques précis à l'Acheteur. Cependant, il est possible de bénéficier d'autres droits, qui varient selon l'État.

FLOTEC • 293 Wright Street • Delavan, WI U.S.A. 53115

Téléphone : 1 800 365-6832 • Télécopieur : 1 800 526-3757 • Site Web : FlotecWater.com

LEA Y OBSERVE LAS INSTRUCCIONES DE SEGURIDAD

⚠ Este es un símbolo de alerta de seguridad. Cuando vea este símbolo en su bomba o en este manual, busque una de las siguientes palabras de señal y esté alerta a las posibilidades de lesiones personales.

⚠ PELIGRO advierte sobre peligros que, si se ignoran, **ocasionarán** lesiones personales graves, muerte o daños importantes a la propiedad.

⚠ ADVERTENCIA advierte sobre peligros que, si se ignoran, **pueden ocasionar** lesiones personales graves, muerte o daños importantes a la propiedad.

⚠ PRECAUCIÓN advierte sobre peligros que, si se ignoran, **ocasionarán o pueden ocasionar** lesiones personales o daños a la propiedad, de menor envergadura.

La etiqueta **AVISO** indica instrucciones especiales que son importantes pero no están relacionadas con los peligros.

Es importante que lea y observe todas las instrucciones de seguridad que aparecen en este manual y en la bomba.

Mantenga las etiquetas de seguridad en buen estado.

Cambie toda etiqueta dañada y vuelva a colocar aquellas que estén ausentes.

DESCRIPCIÓN

Esta Bomba Sumergible de Uso General ha sido diseñada para drenar tanques de almacenamiento, pozos de luz, botes, techos planos y cisternas. La unidad viene equipada con un cordón de corriente de 3 clavijas, de tipo conexión a tierra. Con protección automática de reposición térmica.

AVISO : Esta unidad no ha sido diseñada para uso con agua salada o salubre. El uso con agua salada o salubre anulará la garantía.

ESPECIFICACIONES

Suministro de corriente requerido120 V, 60 Hz
 Servicio del motor.....continuo *
 Gama de temp. del líquido.....Menos de 120° F (50° C)
 Requiere un ramal individual (mínimos)15 amperios
 Descarga de la bombaNPT de 1-1/4"
 Adaptador.....Manguera de jardín de 3/4"

AVISO : Para una operación continua, la bomba debe estar sumergida para evitar que el motor se recaliente.

⚠ ADVERTENCIA **Riesgo de incendio o explosión.** No la use en atmósferas explosivas. Bombee solamente agua con esta bomba.

RENDIMIENTO

	Descarga - Pies de Altura					
	0	5	10	15	20	25
GPH	1320	1170	1020	810	510	0

ESPECIFICACIONES ELÉCTRICAS Y DE CONMUTACIÓN

CV del motor	Carga Completa del motor en amps	Requiere un ramal individual (Amps)
1/4	5,6	15

INFORMACIÓN GENERAL SOBRE LA SEGURIDAD

Las bombas de uso general con accionamiento eléctrico, generalmente brindan muchos años de servicio sin problemas cuando se las instala, mantiene y emplea correctamente. Consulte la "Tabla de localización de fallas" en este manual para obtener información sobre los problemas comunes con bombas de sumidero y sus soluciones. Para mayor información, consulte con su representante de ventas o llame al departamento de servicio al cliente, marcando 1-800-365-6832.

1. Infórmese sobre la aplicación, limitaciones y posibles riesgos de la bomba.
2. **No la use en agua con peces u otros seres vivos.**
3. Desconecte la energía eléctrica antes de efectuar reparaciones.
4. Libere toda la presión dentro del sistema antes de reparar cualquier componente.
5. Drene toda el agua del sistema antes de efectuar reparaciones.
6. Asegure bien la tubería de descarga antes de poner en marcha la bomba. Una tubería de descarga que no esté bien segura puede moverse y causar lesiones personales y/o daños materiales.
7. Antes de cada uso, verifique si las mangueras están débiles o gastadas, asegurándose de que todas las conexiones estén firmes.
8. Inspeccione periódicamente la bomba y los componentes del sistema. Manténgalos limpios de basuras y objetos foráneos. Realice el mantenimiento de rutina según sea necesario.
9. Provea un medio de alivio de la presión para aquellas bombas cuya tubería de descarga pueda bloquearse u obstruirse.
10. Seguridad Personal :
 - a. Use gafas protectoras en todo momento cuando trabaje con la bomba.
 - b. Mantenga la zona de trabajo limpia, despejada y debidamente iluminada - guarde toda herramienta y equipo que no se use.
 - c. Mantenga a los visitantes a una distancia segura de la zona de trabajo.
 - d. Asegúrese de que su taller sea a prueba de niños - con candados, conmutadores maestros y sacando las llaves del arrancador.
11. Observe todos los códigos eléctricos y de seguridad que correspondan.
12. **Esta bomba se puede usar solamente con corriente de 120 voltios (monofásica) y está equipada con un cordón aprobado de 3 conductores y 3 clavijas, de tipo con conexión a tierra.**

⚠ ADVERTENCIA **Tensión peligrosa. Puede provocar choques, quemaduras o muerte.** Para reducir el riesgo de choque eléctrico, desenchufe la bomba antes de repararla. No se ha investigado aún la posibilidad de usar esta bomba en albercas. La bomba viene con un conductor de puesta a tierra y un enchufe de tipo con conexión a tierra. Asegúrese de que se conecte solamente a un tomacorriente puesto a tierra, de tipo con conexión a tierra. Si el tomacorriente mural es del tipo para 2 clavijas, éste debe ser reemplazado por un tomacorriente de 3 clavijas debidamente puesto a tierra e instalado conforme con los códigos y reglamentos que correspondan.

No camine en un lugar mojado hasta que no haya desactivado toda fuente de corriente eléctrica. Si la llave de paso

está en el sótano, llame a la compañía de electricidad o de energía para cortar el servicio a su casa, o llame al departamento de bomberos de su localidad para solicitar instrucciones. El incumplimiento de esta advertencia puede resultar en un choque eléctrico mortal.

No levante la bomba por medio del cordón eléctrico.

13. Todo el cableado debe ser efectuado por un electricista certificado.
14. Asegúrese de que la fuente de alimentación cumpla con los requisitos de su equipo.
15. Proteja el cordón eléctrico contra objetos afilados, superficies calientes, aceite y sustancias químicas. Evite que se enrede. Reemplace o repare inmediatamente un cordón que esté dañado o gastado.
16. No toque un motor cuando esté funcionando. Los motores están diseñados para funcionar a temperaturas altas.
17. No manipulee la bomba ni el motor de la bomba con las manos mojadas o cuando esté parado en suelo húmedo o mojado, o en el agua.

INSTALACIÓN

1. Coloque la bomba sobre una superficie dura dentro de por lo menos 2 pulgadas de agua.
 2. Conecte la línea de descarga con los accesorios suministrados.
 3. La bomba no se debe instalar sobre superficies de arcilla, polvo, lodo o arena. Aunque la bomba generalmente pasará partículas pequeñas suspendidas en el agua, es importante que se limpie la zona de bombeo de piedras pequeñas y grava que puedan obstruir la bomba.
- AVISO :** Césped, lodo, arena o gravilla pueden obstruir la bomba y reducir su rendimiento. Mantenga limpia la malla de admisión de la bomba.
4. Para reducir el ruido y las vibraciones del motor, se puede conectar una manguera corta de caucho (por ej. manguera de radiador) en la línea de descarga, cerca de la bomba, usando abrazaderas adecuadas.
 5. Suministro de energía: La bomba ha sido diseñada para una operación de 120 V, 60 Hz, y requiere un ramal individual mínimo de 15 amperios. La bomba viene equipada con un cordón trifilar con enchufe de tipo conexión a tierra.

⚠ ADVERTENCIA

Tensión peligrosa. Puede provocar

choques, quemaduras o muerte. La bomba siempre debe estar puesta a tierra por medio de una conexión eléctrica a tierra adecuada como una tubería de agua puesta a tierra, una canalización metálica debidamente puesta a tierra, o un sistema de cableado a tierra. No corte la clavija redonda de conexión a tierra.

6. Si la línea de descarga de la bomba está expuesta a la intemperie con temperaturas debajo del punto de congelamiento, la porción de la línea que quede expuesta, deberá ser instalada de manera que el agua que permanece en la tubería se desagüe hacia la salida por gravedad. Si se ignora esta precaución, existe el riesgo de que el agua que quede atrapada en la descarga se congele y dañe la bomba.
7. Inspeccione la operación observando el funcionamiento de la bomba por un ciclo completo.

⚠ PRECAUCIÓN

Riesgo de inundación.

Si no se realiza esta verificación de la operación, existe el riesgo de un funcionamiento inadecuado, una falla prematura e inundaciones.

OPERACIÓN

⚠ ADVERTENCIA Tensión peligrosa. Puede provocar choques, quemaduras o muerte. No maneje la bomba ni el motor de la bomba con las manos mojadas o cuando esté parado sobre una superficie mojada o húmeda, o en agua.

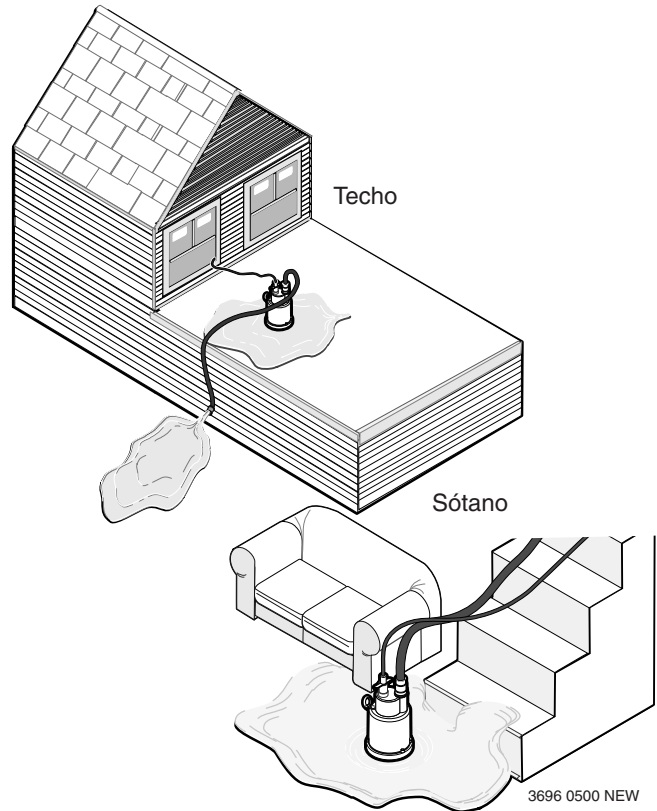
1. El sello del eje depende del agua para su lubricación. No opere la bomba a menos que se encuentre dentro del agua, ya que el sello se perjudicará si marcha en seco.
2. La bomba no eliminará toda el agua. Durante la operación manual, la bomba bombeará hasta 1/8" de la superficie de bombeo. Si se utiliza el interruptor opcional, la colocación del interruptor determinará el nivel final de agua.

AVISO: Para una operación continua, la bomba debe estar sumergida para evitar que el motor se recaliente. Se prefiere una bomba totalmente sumergida para obtener un enfriamiento adecuado cuando funcione continuamente.

BOLSAS DE AIRE ("AIRLOCK")

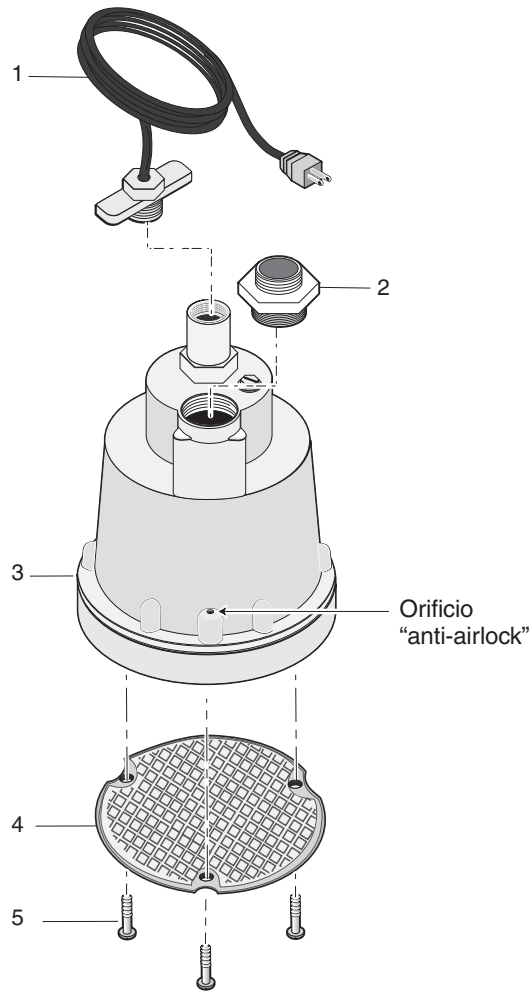
Cuando el flujo de la bomba disminuye o se para debido a bolsas de aire, la bomba marcha pero no mueve agua. Una bolsa de aire puede hacer que la bomba se recaliente y falle. Esta bomba posee un orificio "anti-airlock" para eliminar las bolsas de aire, (ver la pagina 15). Fugas del orificio "anti-airlock" está normal.

Si usted sospecha que hay una bolsa de aire, desenchufe la bomba, limpie el orificio "anti-airlock" con un clip de papel o un trozo de alambre y vuelva a activarla.



Localización de fallas

SÍNTOMA	CAUSA(S) PROBABLE(S)	ACCIÓN CORRECTIVA
La bomba no arranca o no marcha.	La bomba no está enchufada. Fusible quemado. Baja tensión de línea. Motor defectuoso.	Verifique que la bomba esté enchufada en un toma corriente adecuado. Si está quemado, cámbielo por un fusible del tamaño adecuado. Si la tensión se encuentra por debajo del mínimo recomendado, verifique el tamaño de los cables desde el conmutador principal en la propiedad. Si es el correcto, comuníquese con la empresa de energía o de suministro de corriente eléctrica. Reemplace la bomba.
La bomba arranca y se detiene.	El motor se recalienta.	La descarga o la admisión están obstruidas. La bomba se encuentra en agua que no es lo suficientemente profunda.
La bomba funciona pero entrega poco o nada de agua.	Descarga limitada (obstáculo o hielo en la tubería). Admisión restringida. Baja tensión de línea. Piezas gastadas o impulsor tapado. Bolsa de aire (disminución de flujo).	Saque la bomba y limpie la bomba y la tubería. Saque la bomba y limpie el accesorio de admisión. Si la tensión se encuentra por debajo del mínimo recomendado, verifique el tamaño de los cables desde el conmutador principal en la propiedad. Si es el correcto, comuníquese con la empresa de energía o de suministro de corriente eléctrica. Reemplace la bomba. Apague la bomba por unos segundos, limpie el orificio "anti-airlock" y luego vuelva a activarla.



PIEZAS PARA REPARACIONES

Clave	Descripción de la pieza	Cant.	FPSC1725X-02
1	Cordón eléctrico	1	PS117-54-TSU
2	Adaptador	1	007-031
3	Cubierta, unidad del motor	1	**
4	Malla de admisión	1	667-016
5	Tornillos, malla	3	670-793

** Si falla el motor, reemplace la bomba completa.

Retener el recibo original a fin de determinar la elegibilidad para la garantía

Garantía limitada

Esta Garantía Limitada entra en vigor el 1 de junio de 2011 y sustituye toda garantía sin fecha o garantía con fecha anterior al 1 de junio de 2011.

FLOTEC le garantiza al comprador consumidor original (el “Comprador” o “Usted”) de sus productos, que éstos estarán libres de defectos en materiales y en mano de obra por un período de doce (12) meses, a partir de la fecha de la compra original del consumidor. Si dentro de los doce (12) meses a partir de la fecha de la compra inicial del consumidor, será reparado o reemplazado a opción de la FLOTEC, sujeto a los términos y condiciones establecidos en la presente. Tome nota de que esta garantía limitada cubre defectos de manufactura solamente y no el desgaste común. Todos los aparatos mecánicos periódicamente necesitan repuestos y servicio para un funcionamiento correcto. Esta garantía limitada no cubre las reparaciones que se realicen cuando el uso normal haya agotado la vida útil de una pieza o del aparato.

Es necesario retener el recibo de compra original y la etiqueta de información de la garantía a fin de determinar la elegibilidad para la garantía. La elegibilidad se basa en la fecha de compra del producto original - no en la fecha del reemplazo bajo la garantía. La garantía es limitada y cubre solamente la reparación o el reemplazo del producto original adquirido, no del producto reemplazado (es decir que se permite un reemplazo por compra bajo la garantía). El comprador pagará todos los costos de remoción, instalación, mano de obra y envío necesarios, así como todo costo adicional asociado.

Si necesita piezas o resolución de problemas, NO regrese el producto a la tienda minorista. Llame el Servicio a la Clientela de FLOTEC al 1-800-365-6832.

Las reclamaciones hechas bajo esta garantía se realizarán mediante la devolución del producto (a excepción de las bombas cloacales - ver a continuación) al concesionario de venta al público en donde se haya adquirido o a la fábrica, inmediatamente después de haber descubierto cualquier presunto defecto. FLOTEC entonces tomará la medida correctiva tan pronto como sea razonablemente posible. No se aceptarán solicitudes de servicio, si se reciben más de 30 días después del vencimiento de esta garantía.

La garantía no es transferible y no cubre productos utilizados en aplicaciones comerciales o de alquiler.

Bombas cloacales

NO devuelva una bomba cloacal (que se haya instalado) a su tienda minorista. Comuníquese con el Departamento de Atención al Cliente de FLOTEC. Las bombas cloacales que hayan estado en servicio y se hayan removido pueden representar un peligro de contaminación.

Si su bomba cloacal ha fallado:

- Use guantes de caucho cuando manipule la bomba;
- Para los fines de la garantía, devuelva la etiqueta del cordón de la bomba y el recibo de compra original a la tienda minorista;
- Descarte la bomba cumpliendo con todas las normas locales que correspondan para su eliminación.

Excepciones para la Garantía Limitada de Doce (12) Meses

Producto	Período de garantía
FP0F360AC, FP0FDC	90 días
FP0S1775A, FP0S1790PCA, FP0S2400A, FP0S2450A, FP0S4100X, FP2800DCC, FP0CP-20ULST, FPPSS3000, FPSC2150A, FPSC3150A, FPSC3350A	2 años
Bombas de pozo sumergibles de 4”, FP0S3200A, FP0S3250A, FP0S6000A, FPSC1725X, FPSC2200A, FPSC2250A, FPSE3601A, FPPSS5000	3 años
Tanque precargado del sistema de agua, E100ELT, E3305TLT, E3375TLT, E5005TLTT, E50TLT, E50VLT, E75STVT, E75VLT, FPSC3200A, FPSC3250A, FPSC4550A	5 años

Términos y condiciones generales; Limitación de recursos

Usted deberá pagar por todos los gastos de mano de obra y de envío necesarios para reemplazar el producto cubierto por esta garantía. Esta garantía no se aplicará en las siguientes situaciones: (1) caso de fuerza mayor (2) productos que, a sólo juicio de FLOTEC hayan sido sometidos a negligencia, abuso, accidente, mala aplicación, manejo indebido o alteraciones; (3) fallas debido a instalación, operación, mantenimiento o almacenamiento inadecuados; (4) aplicaciones, usos o servicios que no sean normales o aprobados; (5) fallas provocadas por corrosión, herrumbre u otros materiales extraños en el sistema, o una operación a presiones que excedan los máximos recomendados.

Esta garantía establece la única obligación de FLOTEC y el recurso exclusivo del Comprador con respecto a los productos defectuosos.

FLOTEC NO SE HARÁ RESPONSABLE DE NINGÚN DAÑO CONSECUENTE, INCIDENTAL O CONTINGENTE.

LAS GARANTÍAS LIMITADAS QUE ANTECEDEN SON EXCLUSIVAS Y EN LUGAR DE TODA OTRA GARANTÍA EXPLÍCITA E IMPLÍCITA, INCLUYENDO, PERO SIN LIMITARSE A LAS GARANTÍAS IMPLÍCITAS DE COMERCIABILIDAD E IDONEIDAD PARA UN FIN ESPECÍFICO. LAS GARANTÍAS LIMITADAS QUE ANTECEDEN NO SE EXTENDERÁN MÁS ALLÁ DEL PERÍODO DE DURACIÓN INDICADO EN LA PRESENTE.

Algunos Estados no permiten la exclusión o limitación de daños incidentales o consecuentes o de limitaciones de tiempo sobre garantías implícitas, de modo que es posible que las limitaciones o exclusiones que preceden no correspondan en su caso. Esta garantía le otorga derechos legales específicos y es posible que Usted también tenga otros derechos que pueden variar de un Estado al otro.